

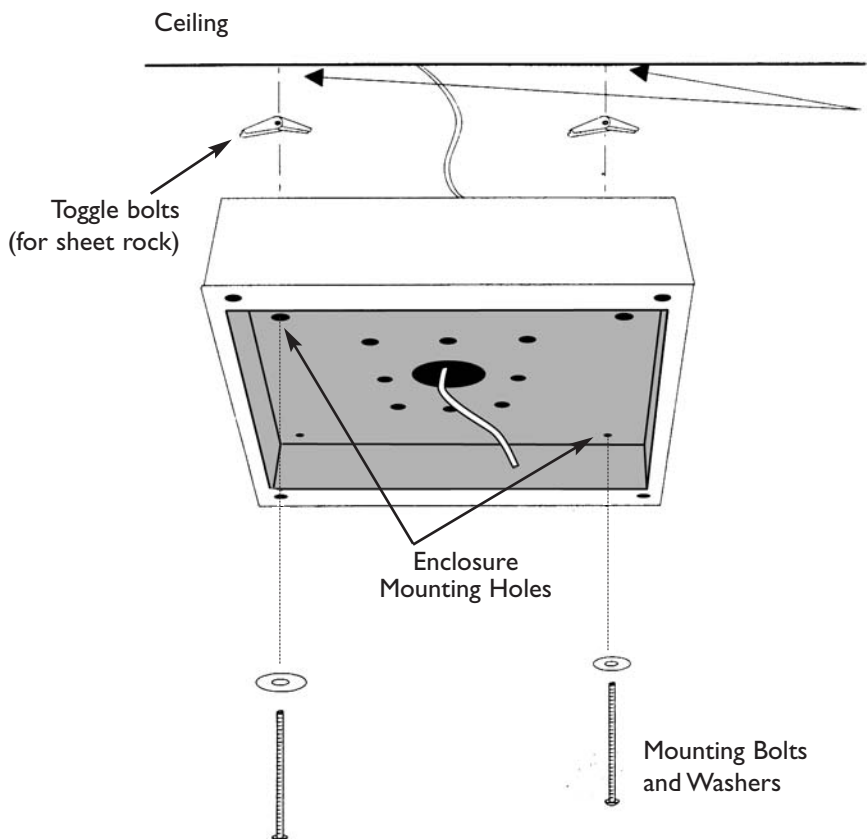
PEC Code: 5330-235 COM Code: 408184075 Model: LUSQIN70VS	Indoor
PEC Code: 5330-240 COM Code: 408184083 Model: LUSQOT70VS	Outdoor

70V Surface-Mount Speaker

Speaker Installation

- The first step is to determine where the speaker(s) will be mounted. Ensure power is not connected to speaker wires prior to installation.

Follow all local safety and building codes and route 70-volt speaker wires to desired ceiling location. Pull approximately 12" of wire through opening in ceiling.
- Pull speaker wire through top (large) opening of speaker enclosure. Using the supplied mounting hardware, secure the enclosure to the ceiling. Note that two toggle bolt/screws (for sheet rock ceilings) and two wood screws (for securing to solid wood/beams) have been included. Utilize the two washers (supplied) as well (see diagram below).



Use two of the enclosure mounting holes as a template (diagonally opposed), and mark screw hole locations. If toggle bolts will be used, use a drill to cut two, 1/2" diameter holes in the ceiling.

3

The next step is to attach the speaker wires to the appropriate taps (wires) located on the back of the speaker. The speaker will also work perfectly well with these connections reversed. However, it is important to be consistent in the wiring of the speakers in the system. If adjacent speakers have reversed wiring connections, they will tend to cancel each other's bass response, diminishing the sound quality.

Note: With 70V speakers select the lowest tap setting (1/4W) before testing the speakers. This ensures that nobody will be "blasted" when a page is made for the first time.

Based on specific area dB levels, select the desired power tap settings:

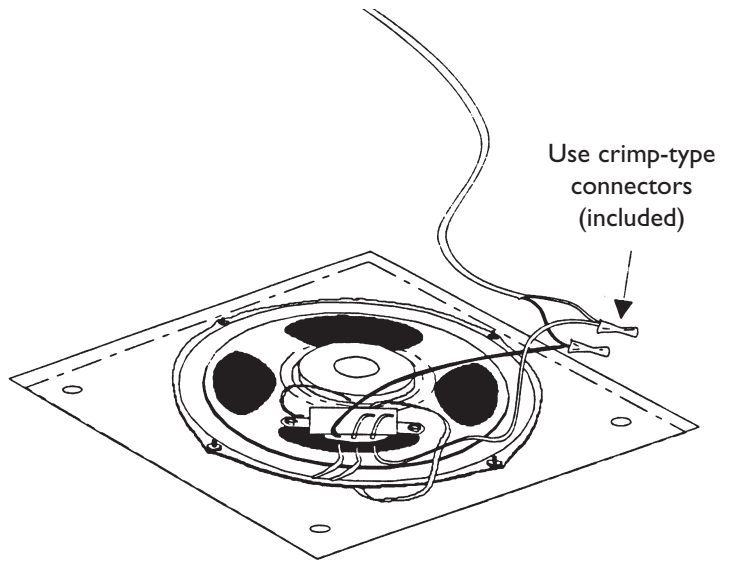
- Green = 1/4W
- Yellow = 1/2W
- Orange = 1W
- Red = 2W
- Brown = 4W

Connect the power tap wire (use supplied crimp-type connector) to the (+) side of the paging system.

Install the (-) side of the paging system (use supplied crimp-type connector) to the black common lead.

Individually tape or clip each tip of exposed wire on the unused power taps and place them neatly around the speaker housing. This will ensure that there will not be any shorts/grounds or wattage problems in the speaker enclosure or wire run.

Note: Use 22 AWG shielded, twisted pair on all wire runs. Com Code: 401882956. Pec Code: 2734-SPK. Connect speaker wire shield to the ground (GND) terminal of the amplifier's output. Carry the ground through all speaker cables by tying the shields of the speaker cables together in a "daisy chain" fashion. **Do not connect the shield to the speaker itself.** The shield is only connected at the amplifier end and simply floats.



4

Secure the speaker/face plate assembly to the mounted enclosure. Use four 1" screws (included).

