

## 35-Watt Attenuator For 70V Speaker Line

### Speaker Installation

This 10-step plus “off” speaker attenuator allows the volume of a network of 70-volt speakers to be controlled from a remote location. The attenuator can handle speaker loads of up to 35W (max.) and fits into a double gang electrical box. Volume reduction takes place in 3dB increments except for the 2 lowest settings, which provide 6dB reduction increments. A speaker “off” position is also provided.

### Attenuator Wiring

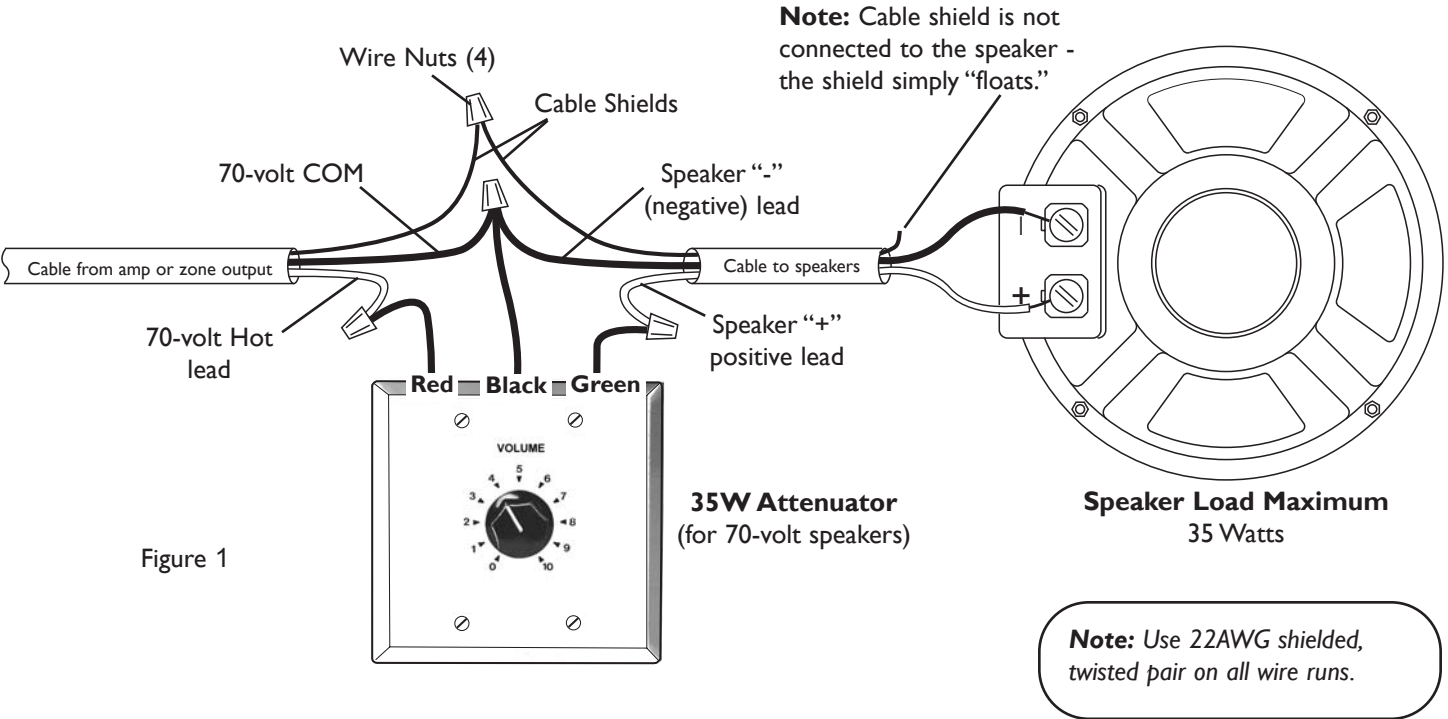


Figure 1

### Attenuator Settings

STEP	ATTENUATION
10	0dB (Full Volume)
9	-3dB
8	-6dB
7	-9dB
6	-12dB
5	-15dB
4	-18dB
3	-21dB
2	-27dB
1	-33dB
0	Speaker Off

## Attenuator Installation

- 1) Cut a rectangular hole 4-1/16" wide and 3-3/4" high in the sheetrock where the attenuator is to be mounted.
- 2) Pull approximately 12" of the amplifier and speaker cables through the hole.
- 3) Push each of the separate cables through the electrical box entry holes and pull about 6" of cable out of the front of the box (see Figure 2).
- 4) Rotate the two screw-mounted tabs down against the box and slide the electrical box into the opening until it stops against the wall.
- 5) Begin to tighten both of the electrical box screws until the box is held firmly into the wall. The clips on the screws will rotate into place and clamp the box against the wall.
- 6) Make all the necessary electrical connections as shown in the "Attenuator Wiring" section on the front of this sheet (see Figure 1).
- 7) Remove the protective plastic film covering from the attenuator face plate.
- 8) Mount the attenuator to the electrical box using the 4 screws provided. Using a Phillips head screwdriver, screw the attenuator into place (see Figure 3).

